



Nova® 636 Whirlpool Bath with Integral Skirt

H535 Nova® 636 Whirlpool Bath with Integral Skirt Right Hand

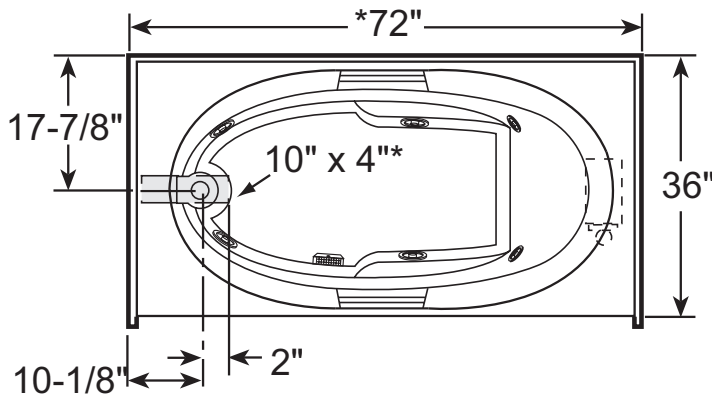
H534 Nova® 636 Whirlpool Bath with Integral Skirt Left Hand-

Nova® 636 Bath with Integral Skirt

H582 Nova® 636 Bath with Integral Skirt Right Hand

H536 Nova® 636 Bath with Integral Skirt Left Hand

- Right and Left Hand Drain Location
- Accessories / Hardware:
 - Trip-Lever Drain Kit #X559
 - Rotary Drain Kit, 26" Cable #8730
 - TheraPro Trim Kit: #GU44
 - AccuPro Jet Trim Kit: #GU45
- Trim Kit Finishes Available:
 - (827) - Chrome
 - (826) - Brushed Nickel
 - (849) - Oil Rubbed Bronze



Product Shown: Nova® 636 Whirlpool Bath with Integral Skirt Left Hand Model: H534

* Measurements inside unit represent cutout in floor to allow for drain/overflow.

INSTALLATION NOTES

Refer to installation instructions included with fixture before beginning installation. Please confirm product availability and specifications before commencing with any installation work.

PRODUCT SPECIFICATIONS AND AVAILABILITY ARE SUBJECT TO CHANGE WITHOUT NOTICE.

Technical Specifications

DIMENSIONS

72" L x 36" W x 19" H
(1829 mm) L x (914 mm) W x (483 mm) H

DRAIN/OVERFLOW

A: 14-5/8" (372 mm) B: 9-3/8" (238 mm)

CUTOUT

Not Applicable

TOTAL WEIGHT

H535, H534: 824 lb (374 kg) / 46 lb/sq. ft. (224 kg/m²)
H582, H536: 796 lb (361 kg) / 44 lb sq. ft. (216 kg/m²)

OPERATING GALLONAGE

56 U.S. Gal. (212 Liters)

PRODUCT WEIGHT

H535, H534: 108 lb (49 kg)
H582, H536: 80 lb (36 kg)

SKIRT MOUNTING

Integral

ELECTRICAL SPECIFICATIONS MODELS H535, H534 ONLY

Requires a dedicated GFCI protected separate circuit.

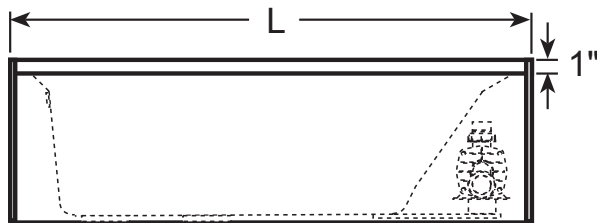
Motor/Pump: 120 VAC, 15 AMP, 60 Hz.

RapidHeat™: 120 VAC, 15 AMP, 60 Hz.

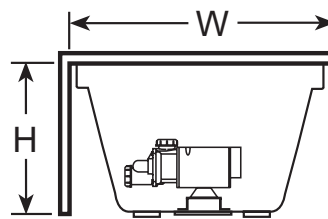
HEATER (OPTIONAL) MODELS H535, H534 ONLY

Requires a dedicated GFCI protected separate circuit.

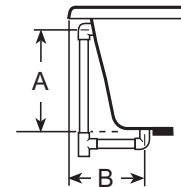
RapidHeat™: P/N S750000



SIDE VIEW



END VIEW



DRAIN/OVERFLOW