



## Cetra® 536 Whirlpool Bath

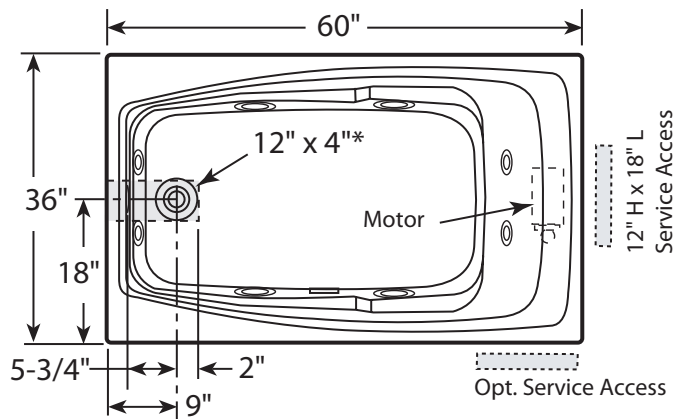
N875 Cetra® 536 Whirlpool Bath Left Hand

N880 Cetra® 536 Whirlpool Bath Right Hand

## Cetra® 536 Bath

N885 Cetra® 536 Bath

- Right and Left Hand Drain Location
- Accessories / Hardware:
  - Trip-Lever Drain Kit: #X559
  - Rotary Drain Kit, 26" Cable: #8730
  - Trim Kit: 1 X TheraPro™ Jet Rings #D095
  - Trim Kit: 2 X AccuPro™ Jet Rings #J869
- Trim Kit Finishes Available:
  - (827) – Chrome
  - (826) – Brushed Nickel
  - (849) – Oil Rubbed Bronze



Product Shown: Cetra® 536 Whirlpool Bath Left Hand Model: N875

\* Measurements inside unit represent cutout in floor to allow for drain/overflow. Minimum Service Access dimensions given.

### INSTALLATION NOTES

Refer to installation instructions included with fixture before beginning installation. Please confirm product availability and specifications before commencing with any installation work.

PRODUCT SPECIFICATIONS AND AVAILABILITY ARE SUBJECT TO CHANGE WITHOUT NOTICE.

## Technical Specifications

### DIMENSIONS

60" L x 36" W x 21-1/4" H  
(1524 mm) L x (914 mm) W x (540 mm) H

### DRAIN/OVERFLOW

A: 18-1/2" (470 mm) B: 9" (229 mm)

### CUTOUT

58" x 34-1/4"

### TOTAL WEIGHT

N875, N880: 742 lb (337 kg) / 50 lb/sq. ft. (242 kg/m<sup>2</sup>)  
N885: 707 lb (321 kg) / 47 lb/sq. ft. (230 kg/m<sup>2</sup>)

### OPERATING GALLONAGE

48 U.S. Gal. (181 Liters)  
Max. 55 U.S. Gal. (208 Liters)

### PRODUCT WEIGHT

N875, N880: 92 lb (42 kg)  
N885: 57 lb (26 kg)

### SKIRT MOUNTING

Optional U-Frame

### ELECTRICAL SPECIFICATIONS MODELS N875, N880 ONLY

Requires a dedicated GFCI protected separate circuit.

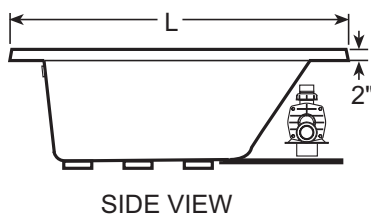
Motor/Pump: 120 VAC, 15 AMP, 60 Hz.

RapidHeat™: 120 VAC, 15 AMP, 60 Hz.

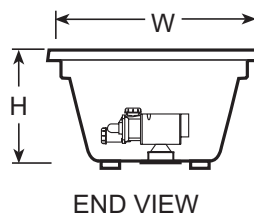
### HEATER (OPTIONAL) MODELS N875, N880 ONLY

Requires a dedicated GFCI protected separate circuit.

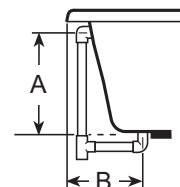
RapidHeat™: P/N S750000



SIDE VIEW



END VIEW



DRAIN/OVERFLOW