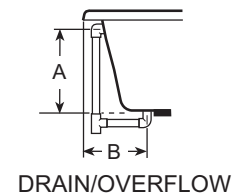
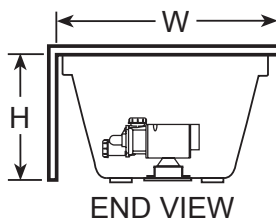
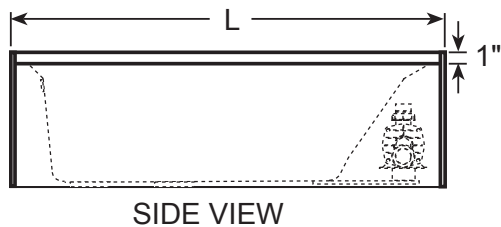
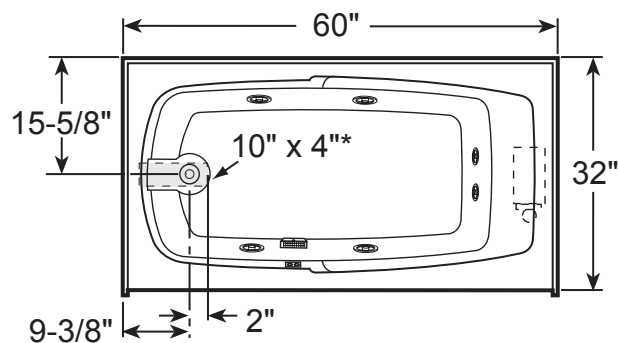




# Cetra® 532 Whirlpool Bath with Integral Skirt

- H526 Cetra® 532 Whirlpool Bath with Integral Skirt Right Hand
- H525 Cetra® 532 Whirlpool Bath with Integral Skirt Left Hand

- Right and Left Hand Drain Location
- Accessories / Hardware:
  - TheraPro™ Jet Rings Kit #D095
  - AccuPro™ Jet Rings Kit #P556 (2 kits required)
- Trim Kit Finishes Available:
  - (827) - Chrome
  - (826) - Brushed Nickel
  - (849) - Oil Rubbed Bronze



## INSTALLATION NOTES

Refer to installation instructions included with fixture before beginning installation. Please confirm product availability and specifications before commencing with any installation work.

PRODUCT SPECIFICATIONS AND AVAILABILITY ARE SUBJECT TO CHANGE WITHOUT NOTICE.

## Technical Specifications

### DIMENSIONS

60" L x 32" W x 20-1/2" H  
(1524 mm) L x (813 mm) W x (521 mm) H

### DRAIN/OVERFLOW

A: 17-7/8" (454 mm) B: 9-3/8" (238 mm)

### CUTOUT

N/A

### TOTAL WEIGHT

823 lb (373 kg) / 62 lb/sq. ft. (303 kg/m<sup>2</sup>)

### OPERATING GALLONAGE

Min. 37 U.S. gallons (140 liters)  
Max. 55 U.S. gallons (208 liters)

### PRODUCT WEIGHT

115 lb (52 kg)

### SKIRT MOUNTING

Integral

### ELECTRICAL SPECIFICATIONS

*Requires a dedicated GFCI protected separate circuit.*

Motor/Pump: 120 VAC, 15 AMP, 60 Hz.

Rapid Heat: 120 VAC, 15 AMP, 60 Hz.

### HEATER (OPTIONAL)

*Requires a dedicated GFCI protected separate circuit.*

Rapid Heat: P/N S750000