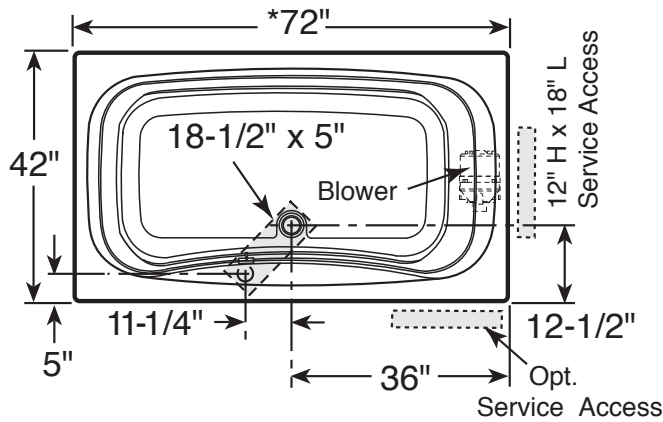




Signa® 6 Pure Air® II Bath

EA90 Signa® 6 Pure Air II Bath Right Hand

- Center Drain Location
- Accessories / Hardware:
 - Trip-Lever Drain Kit #X559
 - Rotary Trip-Lever Drain Kit: #K606
- Trim Kit Finishes Available:
 - (827) – Chrome
 - (898) – Brushed Chrome
 - (815) – Satin Nickel
 - (829) – Bright Brass
 - (805) – Platinum
 - (826) – Brushed Nickel
 - (849) – Oil Rubbed Bronze



INSTALLATION NOTES

Refer to installation instructions included with fixture before beginning installation. Please confirm product availability and specifications before commencing with any installation work.

PRODUCT SPECIFICATIONS AND AVAILABILITY ARE SUBJECT TO CHANGE WITHOUT NOTICE.

Technical Specifications

DIMENSIONS

72" L x 42" W x 22" H
(1829 mm) L x (1067 mm) W x (559 mm) H

DRAIN/OVERFLOW

A: 16-7/8" (429 mm) B: 14" (356 mm)

CUTOUT

70" x 40" (1778 mm x 1016 mm)

TOTAL WEIGHT

1287 lb (584 kg)/61.3 lb/ft² (299 kg/m²)

OPERATING GALLONAGE

Min. 62 U.S. gal (235 liters)
Max. 103 U.S. gal (389 liters)

PRODUCT WEIGHT

154 lb (70 kg)

SKIRT MOUNTING

Not Available

ELECTRICAL SPECIFICATIONS

Requires a dedicated GFCI protected separate circuit.

Blower: 120 VAC, 15 AMP, 60 Hz

HEATER

No water heater is available on this unit. Blower has integral air heater.

Product Shown: Signa® 6 Pure Air II Bath Right Hand Model: EA90

* Measurements inside unit represent cutout in floor to allow for drain/overflow. Minimum Service Access dimensions given.

