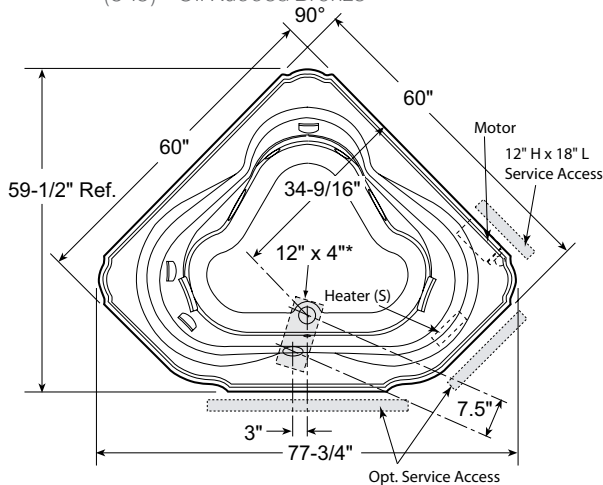




Bellavista™ CORNER WHIRLPOOL BATH

- EE25 Bellavista™ Corner Whirlpool Bath with RapidHeat™ Right Hand
- DC01 Bellavista™ Corner Whirlpool Bath with RapidHeat™ Left Hand
- DB95 Bellavista™ Corner Whirlpool Bath with RapidHeat™ Right Front

- Center Drain Location
- Accessories / Hardware:
 - PowerPro™ Jet Rings Kit: #M952
 - AccuPro™ Neck Jet Rings Kit: #P556 (3 required)
 - Rotary Drain Kit, 30" Cable: #8730
 - RotaryDrain Kit SCH 40: # DA34
- Trim Kit Finishes Available:
 - (827) - Chrome
 - (898) - Brushed Chrome
 - (815) - Satin Nickel
 - (829) - Bright Brass
 - (805) - Platinum
 - (826) - Brushed Nickel
 - (845) - Oil Rubbed Bronze



Product Shown: Bellavista Corner™ Right Hand Whirlpool Bath, Model: EE25

* Measurements inside unit represent cutout in floor to allow for drain/overflow.

Minimum Service Access dimensions given.

INSTALLATION NOTES

Refer to installation instructions included with fixture before beginning installation. Please confirm product availability and specifications before commencing with any installation work.

PRODUCT SPECIFICATIONS AND AVAILABILITY ARE SUBJECT TO CHANGE WITHOUT NOTICE.

Technical Specifications

DIMENSIONS

60" L x 60" W x 22" H
(1524 mm) L x (1524 mm) W x (559 mm) H

DRAIN/OVERFLOW

A: 18-7/8" (479 mm) B: 14" (356 mm)

CUTOUT

Template Provided

TOTAL WEIGHT

1155 lb (524 kg) / 46 lb/ft² (225 kg/m²)

OPERATING GALLONAGE

87 U.S. Gal. (329 Liters),
Min. 83 U.S. Gal. (314 Liters)
Max. 91 U.S. Gal. (344 Liters)

PRODUCT WEIGHT

130 lb. (59 kg)

SKIRT MOUNTING

Not Available

ELECTRICAL SPECIFICATIONS

Requires a dedicated GFCI protected separate circuit.

Motor/Pump: 120 VAC, 20 AMP, 60 Hz.
RapidHeat™: 120 VAC, 15 AMP, 60 Hz.

HEATER (STANDARD)

Requires a dedicated GFCI protected separate circuit.

RapidHeat™: P/N S750000

