



Amiga™ Whirlpool Bath with Integral Skirt

T700 Amiga™ Whirlpool Bath With Integral Skirt Left Hand

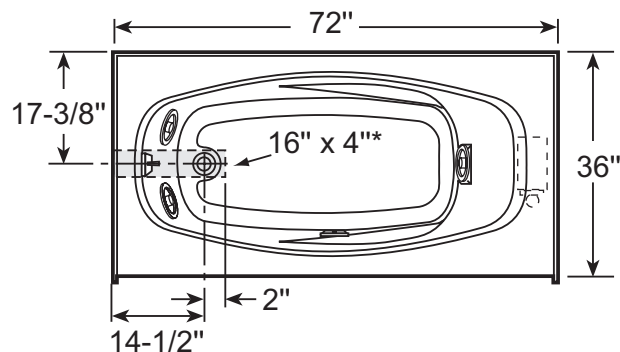
T710 Amiga™ Whirlpool Bath With Integral Skirt Right Hand

Amiga™ Bath with Integral Skirt

T715 Amiga™ Bath With Integral Skirt, Right Hand

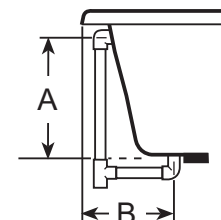
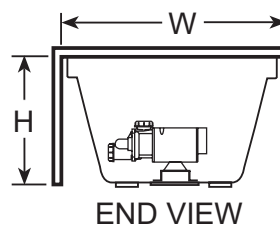
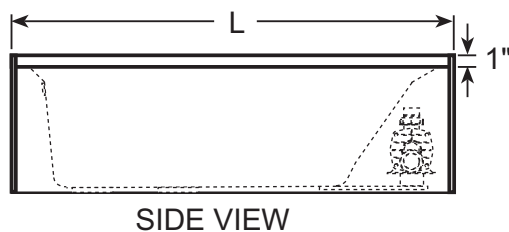
T705 Amiga™ Bath With Integral Skirt, Left Hand

- Right and Left Hand Drain Location
- Accessories / Hardware:
 - Trip-Lever Drain Kit: #X559
 - Rotary Drain Kit, 26" Cable: #8730
 - TheraPro Jet Trim Kit: #GU44
 - AccuPro Jet Trim Kit: #GU45 (2 required)
- Trim Kit Finishes Available:
 - (827) – Chrome
 - (826) – Brushed Nickel
 - (849) – Oil Rubbed Bronze



Product Shown: Amiga™ Whirlpool Bath With Integral Skirt Left Hand
Shown Model: T700

* Measurements inside unit represent cutout in floor to allow for drain/overflow.



DRAIN/OVERFLOW

INSTALLATION NOTES

Refer to installation instructions included with fixture before beginning installation. Please confirm product availability and specifications before commencing with any installation work.

PRODUCT SPECIFICATIONS AND AVAILABILITY ARE SUBJECT TO CHANGE WITHOUT NOTICE.

Technical Specifications

DIMENSIONS

72" L x 36" W x 20-3/4" H
(1829) mm L x (914) mm W x (527) mm H

DRAIN/OVERFLOW

A: 16-7/8" (429 mm) B: 14" (356 mm)

CUTOUT

NA

TOTAL WEIGHT

T710, T700: 796 lb. (362 kg) / 44.2 lb./sq. ft. (216 kg/m²)
T705, T715: 762 lb. (346 kg) / 42.3 lb./sq. ft. (207 kg/m²)

OPERATING GALLONAGE

50 U.S. Gal. (189 Liters)

PRODUCT WEIGHT

T710, T700: 129 lb. (59 kg)
T705, T715: 95 lb. (43 kg)

SKIRT MOUNTING

Integral

ELECTRICAL SPECIFICATIONS MODELS T700, T710 ONLY

Requires a dedicated GFCI protected separate circuit.

Motor/Pump: 120 VAC, 15 AMP, 60 Hz.

RapidHeat™: 120 VAC, 15 AMP, 60 Hz.

HEATER (OPTIONAL) MODELS T700, T710 ONLY

Requires a dedicated GFCI protected separate circuit.

RapidHeat™: P/N S750000